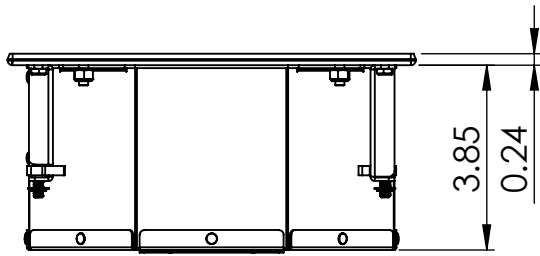
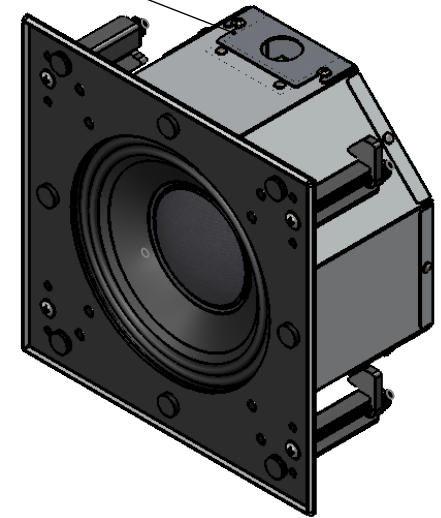


TERMINAL COVER WITH CONDUIT TERMINATION



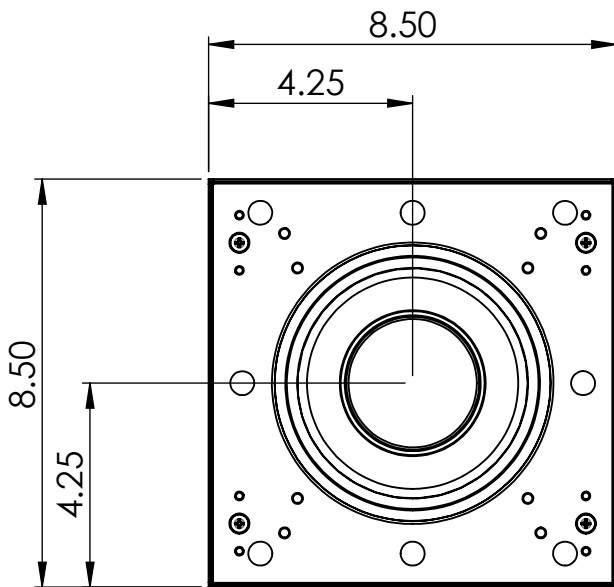
SIDE VIEW



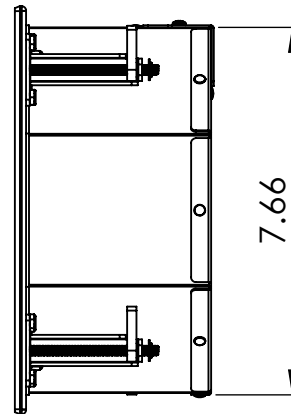
ISO VIEW

NOTES:

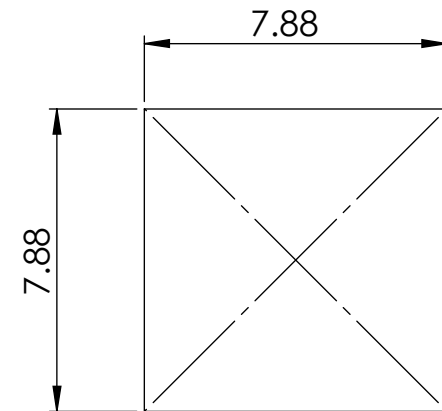
1. ALL METAL CONSTRUCTION
2. INCLUDED TERMINAL COVER WITH CONDUIT TERMINATION
3. 1.75" MAX WALL THICKNESS
4. 100 DEGREE CONICAL NOMINAL COVERAGE
5. PASSIVE CROSSOVER INCLUDED
6. LOOP OUTPUT



FRONT VIEW



SIDE VIEW



WALL CUTOUT

PROPRIETARY AND CONFIDENTIAL
 THE INFORMATION CONTAINED IN THIS DRAWING IS THE SOLE PROPERTY OF PROFESSIONAL HOME CINEMA, LLC. ANY REPRODUCTION IN PART OR AS A WHOLE WITHOUT THE WRITTEN PERMISSION OF PROFESSIONAL HOME CINEMA, LLC IS PROHIBITED. THE HOLDER OF THIS DOCUMENT SHALL KEEP ALL INFORMATION CONTAINED HEREIN CONFIDENTIAL AND SHALL PROTECT THE SAME IN WHOLE OR IN PART FROM DISCLOSURE AND DISSEMINATION TO ALL THIRD PARTIES.

		DIMENSIONS ARE IN INCHES TOLERANCES: FRACTIONAL ± ANGULAR: MACH ± BEND ± TWO PLACE DECIMAL ± THREE PLACE DECIMAL ±		NAME	DATE	PROFESSIONAL HOME CINEMA, LLC		
		MATERIAL --		DRAWN		<h1>SCRS-6c-iw</h1>		
		FINISH --		CHECKED				
NEXT ASSY	USED ON			ENG APPR.				
				MFG APPR.				
APPLICATION		DO NOT SCALE DRAWING		Q.A.		SIZE A	DWG. NO.	REV.
				PRO AUDIO TECHNOLOGY		SCALE: 1:15	WEIGHT:	SHEET 1 OF 1